



KINSHOFER
crane and excavator attachments

Pipe Grapple with *HPX* drive KM 930HPX

Special and Custom Solutions



700005/2008

The special Polyurethan-coating (PU-coating) on the pipe grab with HPXdrive by **KINSHOFER** brings crucial advantages over the version without coating:

ADVANTAGES GRAB:

- ▷ grabbed pipes are not damaged
- ▷ surrounding pipes are not damaged due to 5 mm / 0.2 in PU- coating also on the outside
- ▷ coat is hotly gunned on sandblasted steelplate

ADVANTAGES PU-COATING:

- ▷ PU-coating gunned hotly on sandblasted steelplates for better splicing with the material
- ▷ each piece coatable up to 20 mm / 0.8 mm thickness (e.g. exchangeable jaws, etc.)
- ▷ extremely wear-resistant

TECHNICAL DATA:

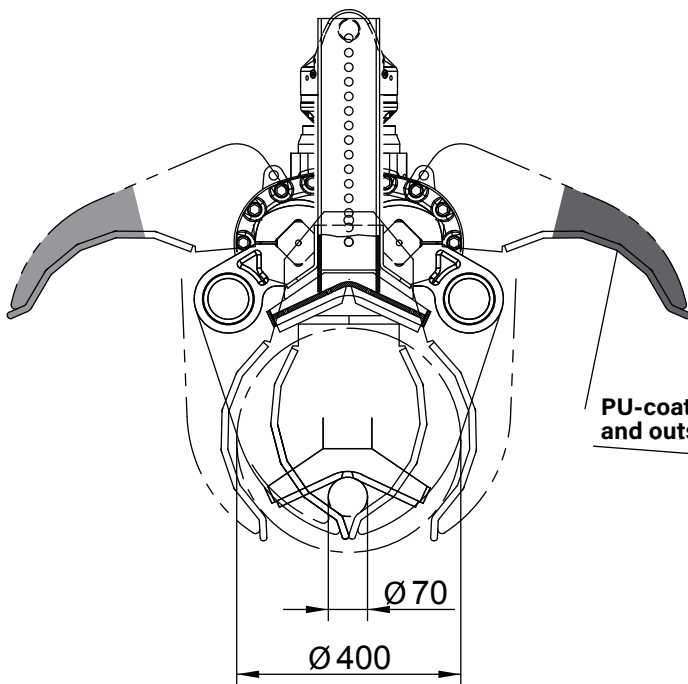
Operating pressure:	26 MPa (260 bar) / 3,770 psi
Pump capacity:	40 - 90 l/min / 10.6 - 23.8 GPM
Load capacity:	2,000 kg / 4,400 lbs
Closing force:	25 kN / 5,500 lbf
Weight:	290 kg / 638 lbs
Opening Ø:	70 - 400 mm / 2.8 - 15.7 in



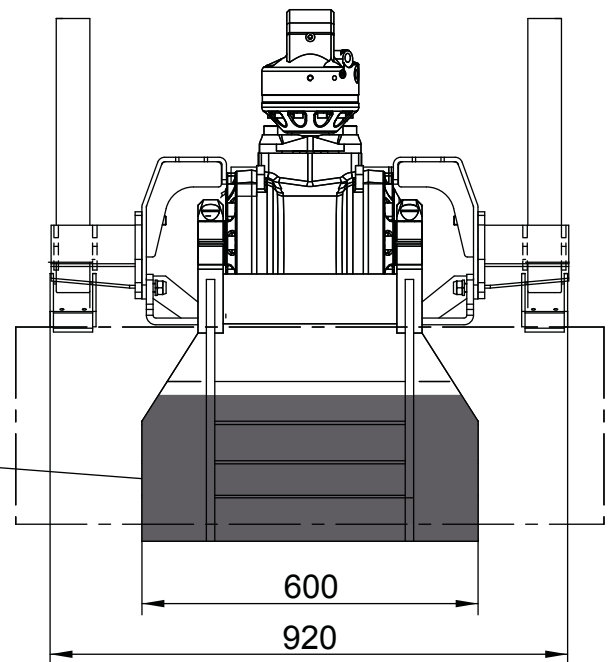
Clamping jaw with PU-coating



Exchangeable jaw with PU-coating



PU-coating inside and outside



We reserve the right to amend specifications without prior notice! **KINSHOFER** GmbH, D-83607 Holzkirchen, Germany

KINSHOFER Branches

Headquarters Germany:
KINSHOFER GmbH
 Raiffeisenstrasse 12
 83607 Holzkirchen
 Germany
 Tel.: +49 (0) 8021 88 99 0
 Email: info@kinshofer.com
 www.kinshofer.com



KINSHOFER is an
 ISO 9001 certified Company.
 DVS ZERT is a registered trademark
 of DVS ZERT e.V., Düsseldorf.

