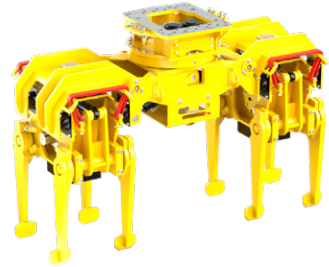


Using the double ballast tamper DT03/22 with 360° rotation, the packing of ballast under sleepers is not only fast, but also highly efficient and economical. Ideal for road-rail excavators with 14t / 30800 lbs up to 24t / 52800 lbs.

- ▷ **Complete** with two high frequency vibrating units.
- ▷ **Efficient:** the strong, silent compressors destabilize the gravel ballast, while their built-in vibration units are running. Their four arms are thrust into the gravel and pack it by vibrating. They move alongside and below the sleeper into the ground and tamper optimally.
- ▷ **One side 55° tiltable.**
- ▷ **High frequency.**
- ▷ **Low noise operation.**
- ▷ **Strong anti-vibration rubbers** for low vibration against the machine.
- ▷ 360° rotation incl. 2 motors
- ▷ **Adjustable tamping depth** for concrete sleepers or for steel and timber ties.



Double Ballast Tamper DT03/22

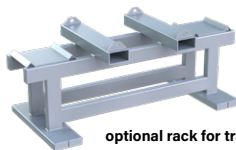
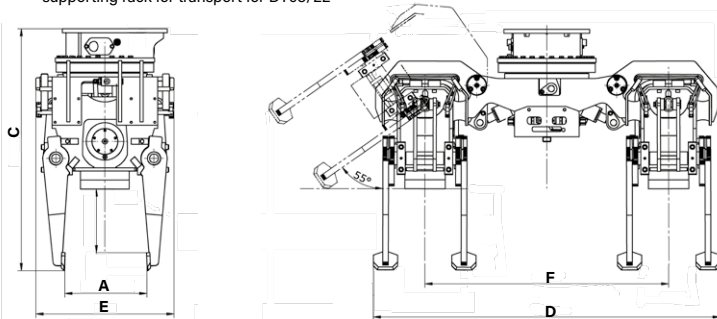
Type	Length D (mm/in)	Width E (mm/in)	Height C (mm/in)	Weight (kg/lbs)	Tamping elements (pcs)	Tilt angle (°)	Gauge F (mm/in)	Tamping range A (mm/in)	Tamping depth (mm/in)	Compaction force (kg/lbs)
DT03/22	2140 / 84.3	850 / 33.5	1490 / 58.7	1800 / 3960	2 x 4	55	1435 / 56.5	195 - 650 / 7.7 - 25.6	440 - 500 / 17.3 - 19.7	7500 / 16500

Package consists of: 2 ballast tampers tiltable at adapter plate, KINSHOFER rotation incl. 2 motors

Note: suitable for all kinds of sleepers. For adapters see page 27

Accessories

Type	Description
T650 rigid	bolt-on adapter for "Atlas" quick coupler T620 supporting rack for transport for DT03/22



optional rack for transport

Requirements of Excavator

Three hydraulic circuits needed, two of them double effective (open / close and rotation) and one hammer line (vibration), with free line to the tank and overflow oil line.

Operating pressure (open/close/vibration)	Operating pressure (rotate)	Recommended oil flow (open/close)	Recommended oil flow (vibration)	Recommended oil flow (rotate)
max. 15 MPa (150 bar) / 2160 psi	max. 14 MPa (140 bar) / 2016 psi	50 - max. 85 l/min / 13.2 - max. 22.5 GPM	75 - 85 l/min @ 150 bar / 19.8 - 22.5 GPM @ 2160 psi (free line to tank required)	25 - max. 45 l/min / 6.6 - max. 11.9 GPM