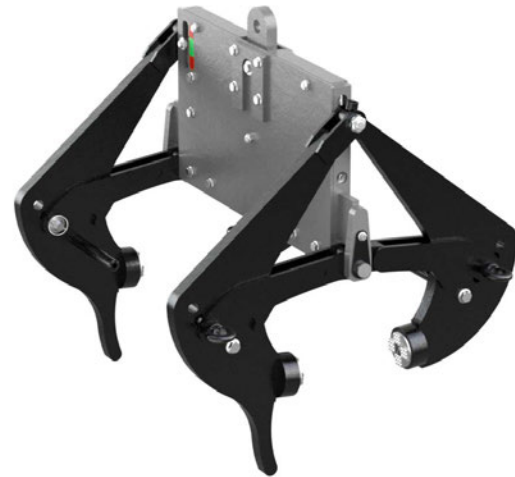


The KM 932MB barrier lifter is a mechanical grab for fast and convenient handling of concrete barriers and blocks.

- ▷ **Safe:** Carbide gripping pads ensure safe operation, even on wet or coated surfaces.
- ▷ **Efficient:** The fully integrated, mechanically operated "latch & release" system allows the unit to function independently, without assistance from an additional operative.
- ▷ **Versatile:** Multi-position arms are a standard feature. This means one unit can achieve different gripping ranges by simply changing the position of four pins.
- ▷ **Cost-effective:** The elimination of slings and chains means more cycles can be achieved per hour.
- ▷ **Fast:** The "latch & release" system.



## Barrier Lifter KM 932MB

Type	Gripping range	Width	Weight	Load capacity	Operating weight
	A (mm/in)	E (mm/in)	(kg/lbs)	(kg/lbs)	(t/lbs)
KM 932MB-6/10	115 - 305 / 4.5 - 12.0	760 / 29.9	162 / 356	6,580 / 14,476	< 27 / < 59,400
KM 932MB-12/14	295 - 395 / 11.6 - 15.6	760 / 29.9	150 / 330	6,580 / 14,476	< 27 / < 59,400

## Technical drawings

