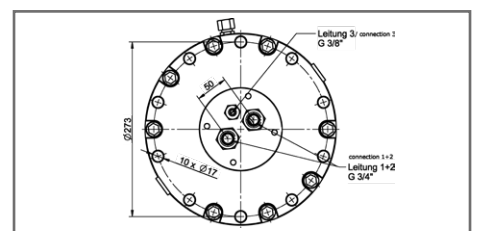
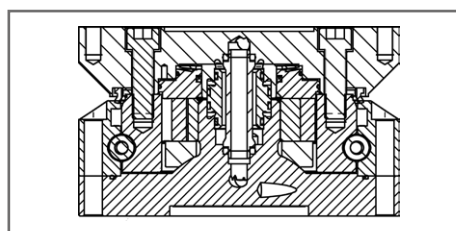
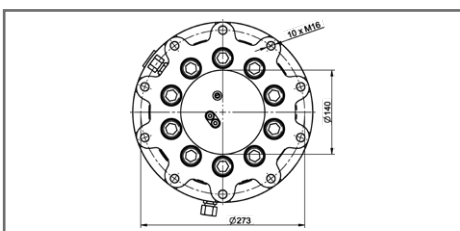
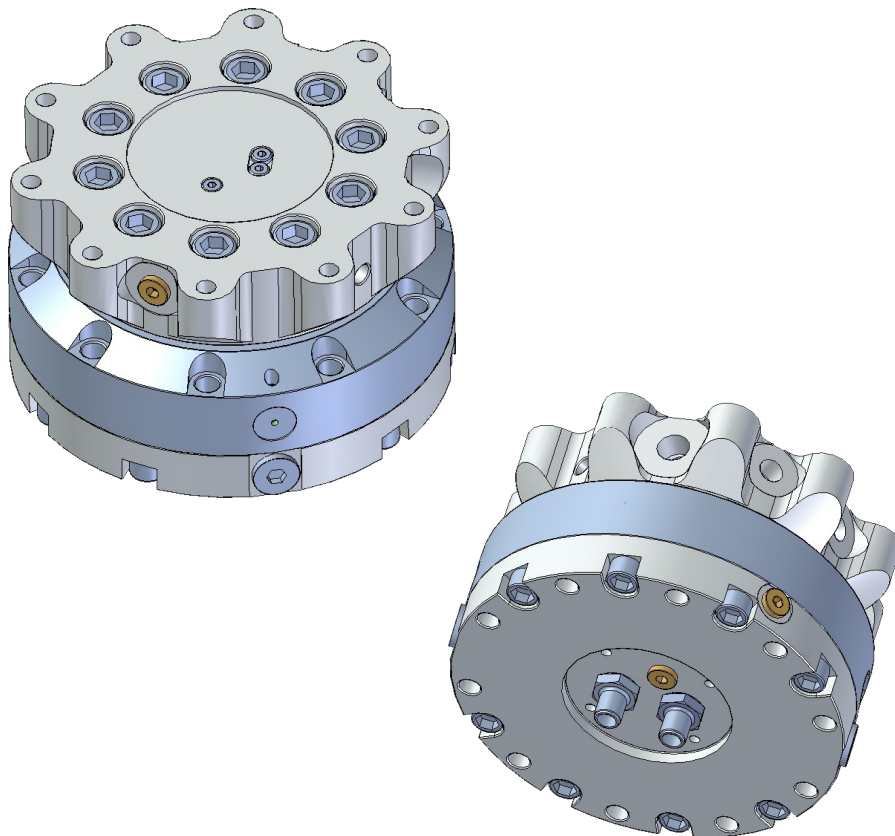




**KINSHOFER**  
crane and excavator attachments

# Rotator with 3rd Oil Duct KM 15 F273/273

## Special and Custom Solutions

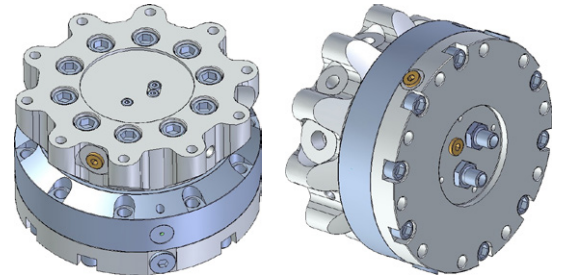


700170/2009

This extremely strong and flat rotator fixed at 4 points by **KINSHOFER** that has already proven its worth in a lot of operations and features a very high bending moment, is here equipped with an additional third oil duct as a special version.

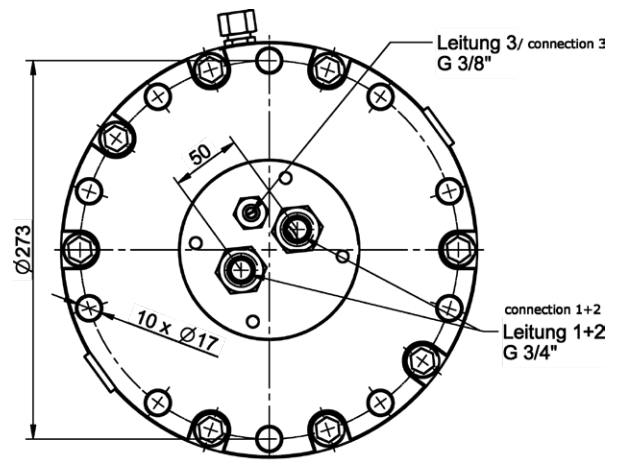
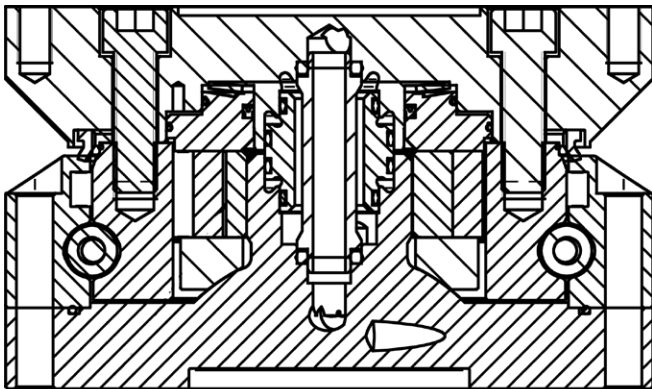
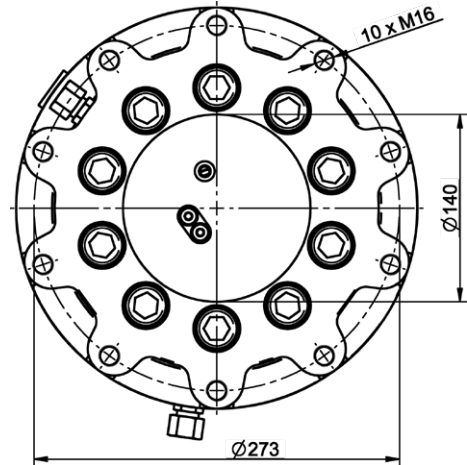
This oil duct can be used for a central greasing or as a leak oil pipe e.g. for compressors.

The 3rd duct has a large cross section and can be charged with up to 320 bar / 4,610 psi.



## TECHNICAL DATA:

Operating pressure:	35 MPa (350 bar) / 5,040 psi
Pump capacity:	25 - 75 l/min / 6.6 - 19.8 GPM
Load capacity:	15 t / 33,000 lbs
Weight:	70 kg / 154 lbs
Internal pressure:	15 MPa (150 bar) / 2,160 psi
Bending moment:	max. 50,000 Nm / 36,875 ft.lbs



We reserve the right to amend specifications without prior notice! **KINSHOFER** GmbH, D-83607 Holzkirchen, Germany

## KINSHOFER Branches

Headquarters Germany:  
**KINSHOFER** GmbH  
 Raiffeisenstrasse 12  
 83607 Holzkirchen  
 Germany  
 Tel.: +49 (0) 8021 88 99 0  
 Email: info@kinshofer.com  
 www.kinshofer.com



**KINSHOFER** is an ISO 9001 certified Company.  
 DVS ZERT is a registered trademark of DVS ZERT e.V., Düsseldorf.

